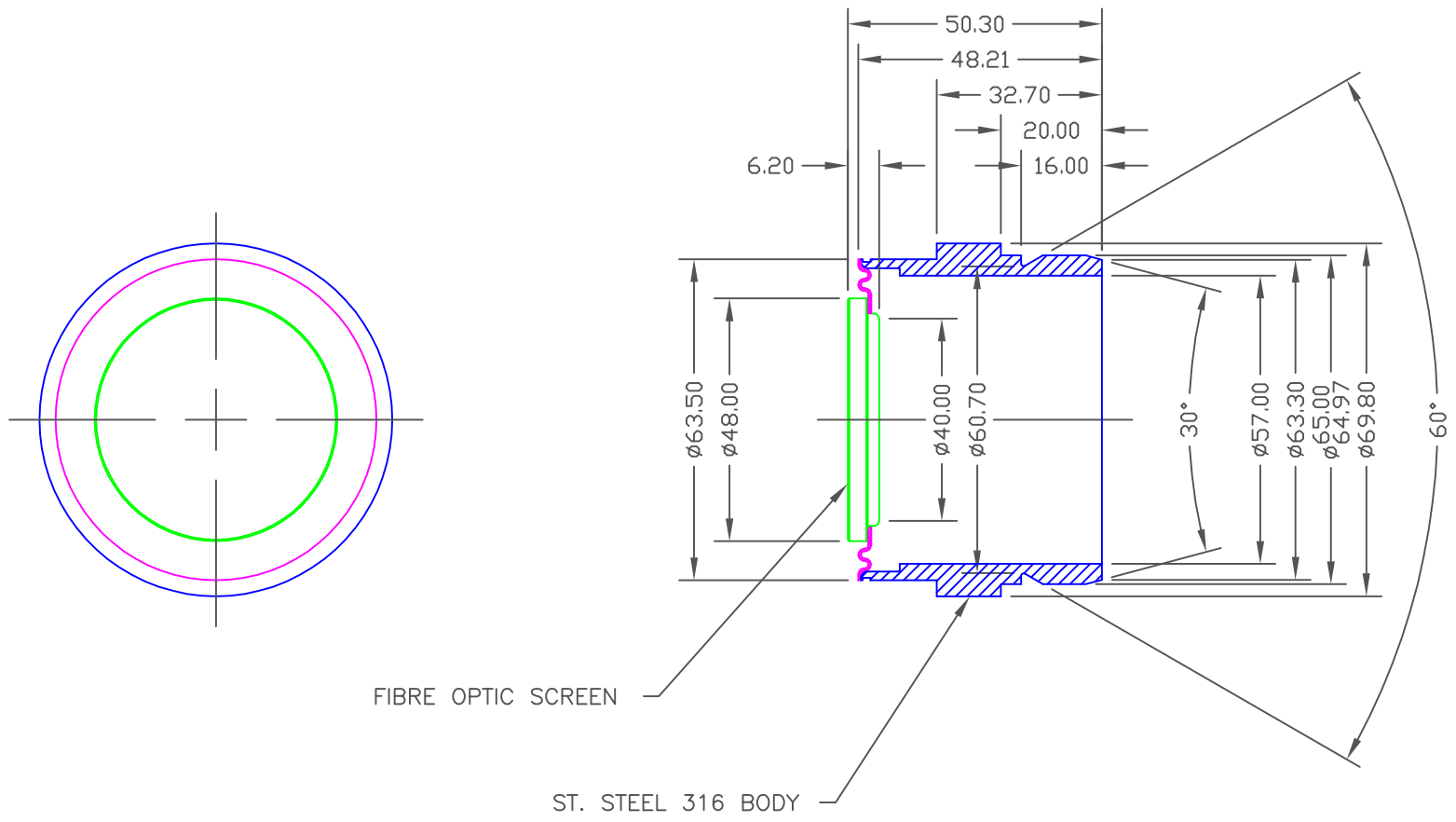


A.K. G. Dyreke Bradslew



PROPRIETARY DESIGN RIGHTS OWNED BY PHOTEK LTD.

SCALE:- 1:1

				DIMENSIONS IN mm (UNLESS STATED)	TITLE SCREEN ASSEMBLY		DRAWN NJH	CHECKED BAS	APPROVED	DATE 30/10/03		
2	20.00 WAS 19.68, Ø65/64.97 WAS Ø65.00, 30° WAS 25°, ST.ST. 316 WAS 304	NJH	28/09/04	MATERIAL :			+44(0) 1424 850555	sales@photek.co.uk	www.photek.co.uk			
ISSUE		APPD.	DATE	FINISH :			DRAWING No. A3/7038					